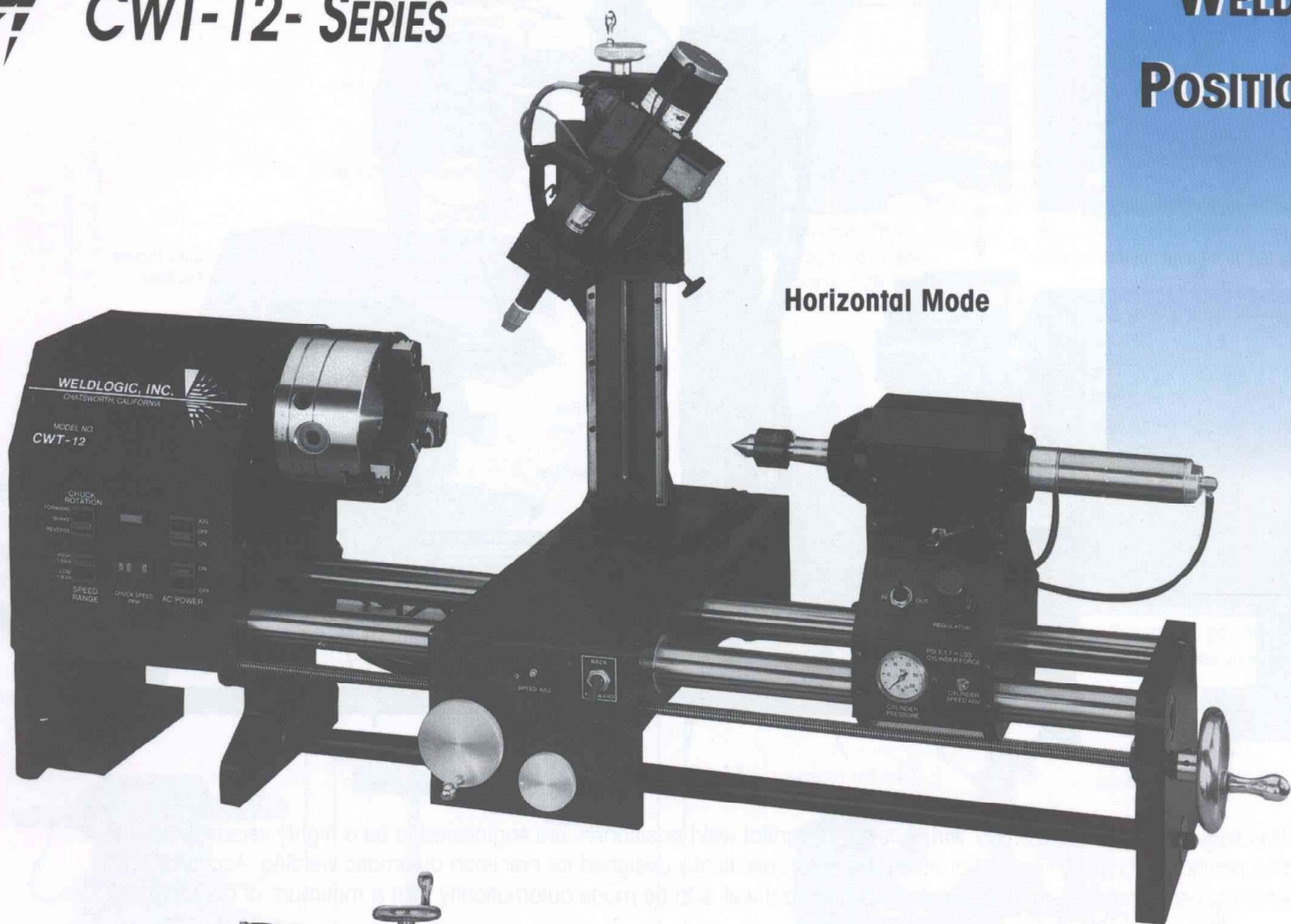




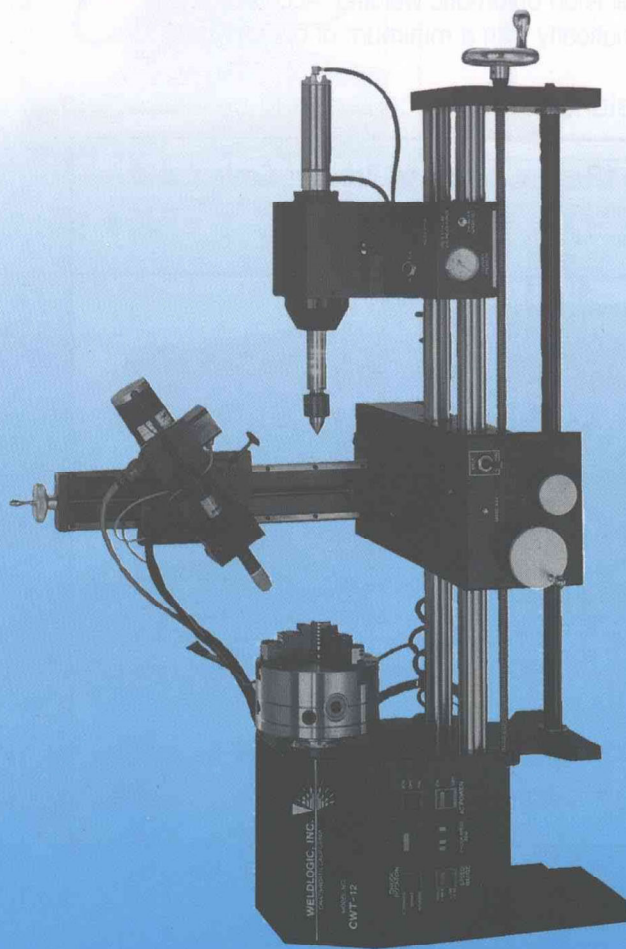
WELDLOGIC, INC.

CWT-12- SERIES

PRECISION
WELDING
POSITIONER



Horizontal Mode



Vertical Mode

Maximum Adaptability for Automatic Welding

Weldlogic's 19 years of designing and manufacturing welding positioners distinctly places our CWT Series welding positioners in a class by itself.

Our Precision Welding Positioners are a standard production tool which is designed to economically satisfy a wide range of your circumferential welding requirements.

All the "CWT Series" Positioners provide the unique ability to weld in either the horizontal or vertical mode to best suit your present or future requirements for years of trouble-free use.

Standard Features

- Lathe tilt 90°
- .01-99.9 RPM
- Air activated tail stock
- Air activated torch retract
- Torch tilt 0-90°
- Triple beam rigid construction
- Precision tapered roller bearing spindle
- Built-in encoder speed control
- Specifically designed for automatic welding